

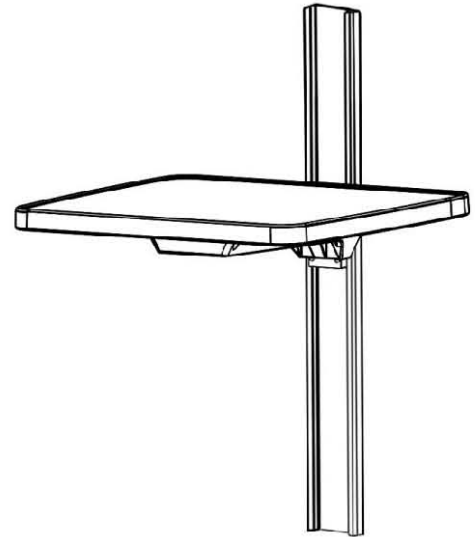
Installation Guide

18 x 16.5"/45.7 x 41.3cm Channel Mount Tray

Weight Capacity: 50 lbs/22.7 kg total

The purpose of this guide is to:

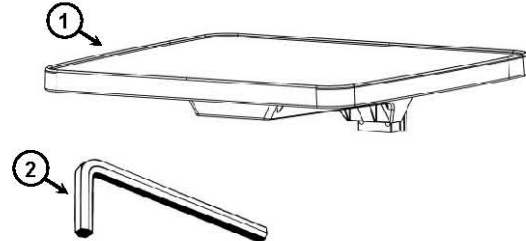
1. Describe installation of Tray (page 2).



Parts Reference

The following parts and hardware are included in this installation kit (hardware not shown):

Item #	Description	Qty
1	Tray	1
2	1/8" Hex Wrench	1

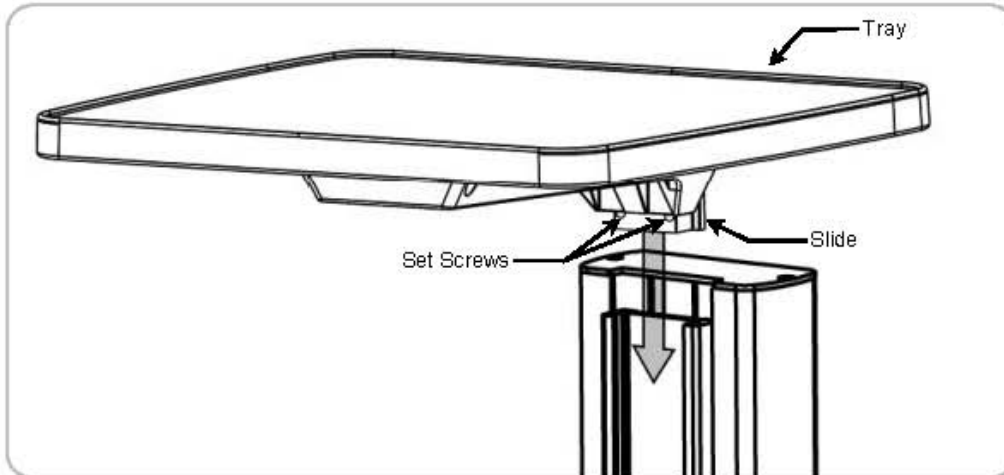


Tools required

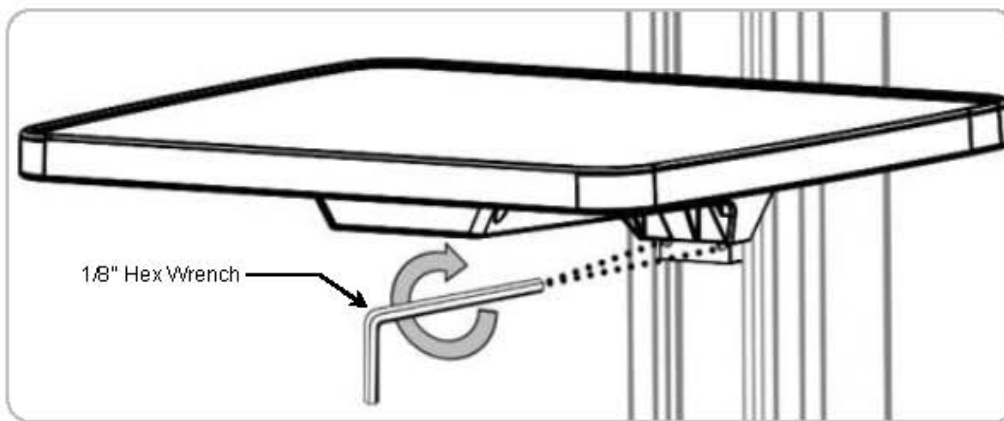
- 1/8" hex wrench (provided)

Installation of Tray

1. Guide Slide down Channel until Tray is at desired height.



2. Using the 1/8" hex wrench (provided), tighten the two (2) set screws to secure Tray in place.



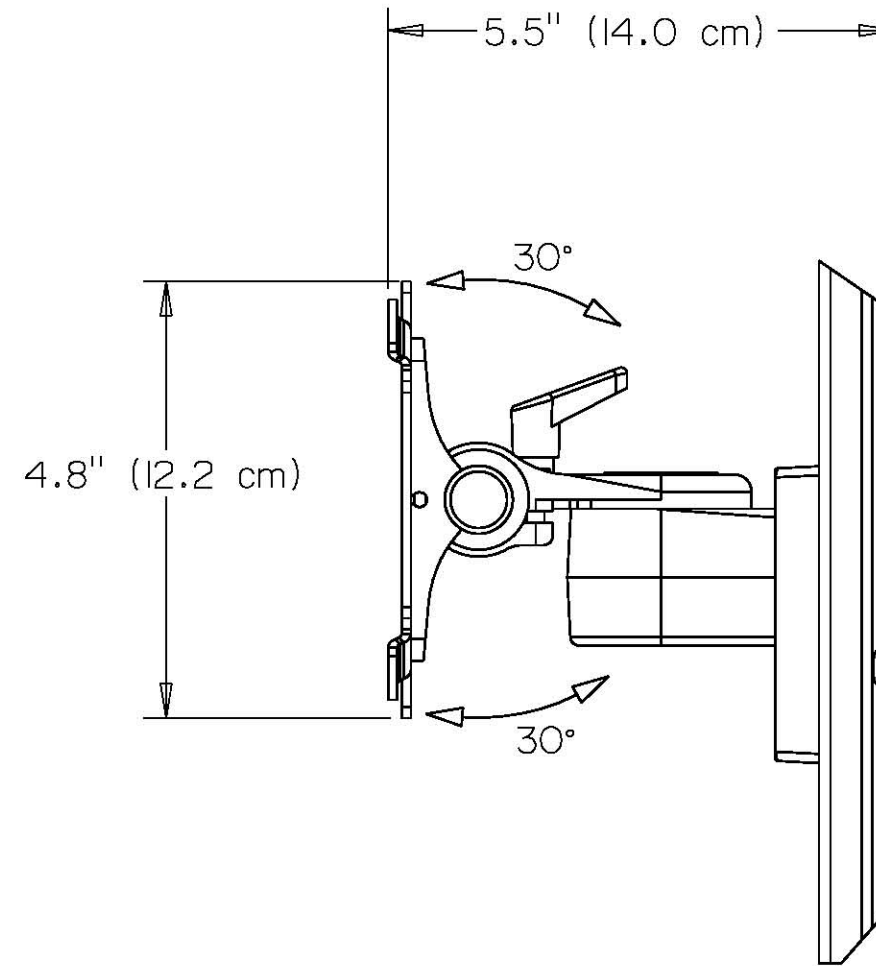
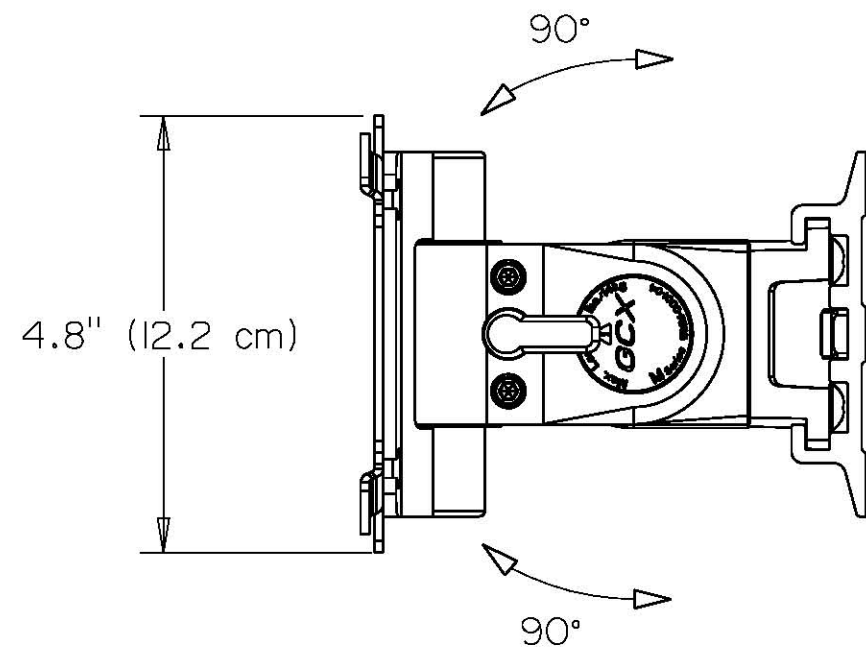
Routine Maintenance

Periodically inspect all fasteners associated with the mounting system. Tighten or adjust fasteners as necessary for optimal operation and safety.

Cleaning the Mounting Assembly

1. The mounting assembly may be cleaned with most mild, non-abrasive solutions commonly used in the hospital environment (e.g. diluted bleach, ammonia, or alcohol solutions).
2. The surface finish will be permanently damaged by strong chemicals and solvents such as acetone or trichloroethylene.
3. Do not use Steel wool or other abrasive material.
4. Damage caused by the use of unapproved substances or processes will not be warranted. It is recommended that you test any cleaning solution on a small area of the mounting assembly that is not visible to verify compatibility.
5. Never submerge or allow liquids to enter the mounting assembly. Wipe any cleaning agents off of the mounting assembly immediately, using water dampened cloth. Dry the assembly thoroughly after cleaning.

CAUTION: GCX makes no claims regarding the efficacy of the listed chemicals or processes as a means for controlling infection. Consult your hospital's infection control officer or epidemiologist. To clean or sterilize mounted devices or accessory equipment, refer to the specific instructions delivered with those products before installing the mounting assembly in the Channel.



DIMENSIONAL TOLERANCES AS FOLLOWS
UNLESS OTHERWISE SPECIFIED:
X.XXX: ±.010
X.XX: ±.025
X.X: ±.100

GCX PROPRIETARY
THIS DOCUMENT CONTAINS, PROPRIETARY INFORMATION THAT IS GCX
CORPORATION INTELLECTUAL PROPERTY. DO NOT DISCLOSE TO, OR
DUPLICATE FOR OTHERS EXCEPT AS AUTHORIZED IN WRITING BY GCX.

REV	ECN#	DATE	APPRV.	DRAWN BY: CMG
				DESIGNER:
				CHECKED BY:

M-SERIES FLUSH - ADJUSTABLE



DWG NO. FLP-0009-04	REV.
DATE: 6-24-08	LEV: PT

Installation Guide

VHRC Column Handle

The purpose of this guide is to:

1. Describe installation of the handle to the rear of the VHRC column assembly

Parts Reference

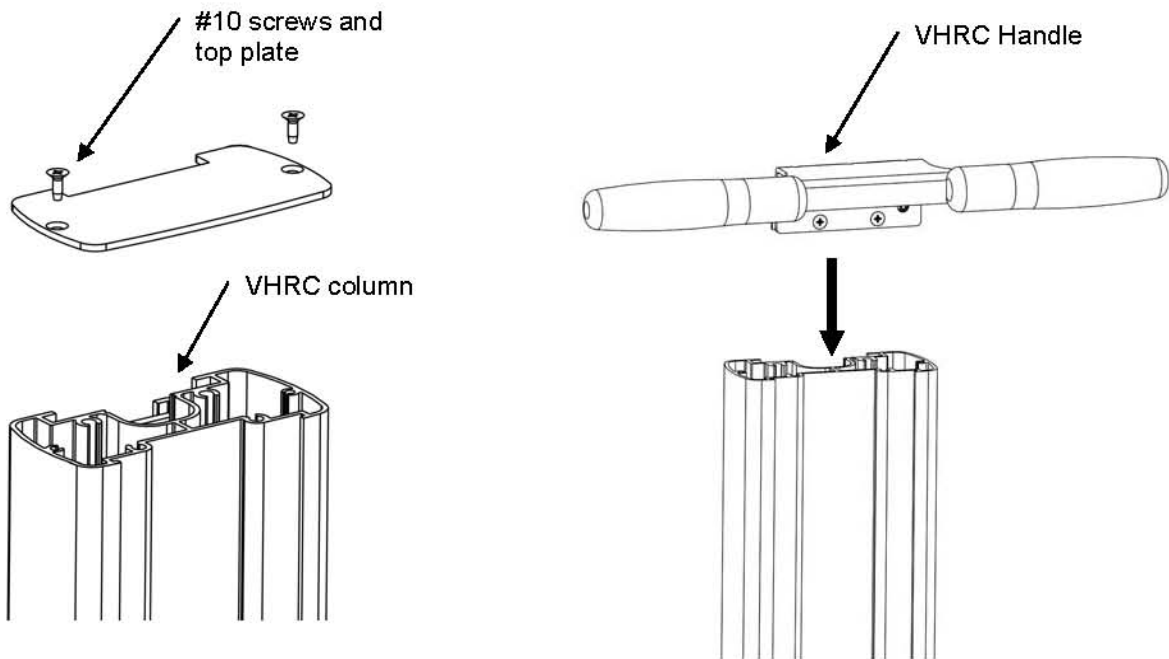
The parts list below includes parts and hardware that will be used in this installation procedure (see images below for parts and hardware). Note that the handle can be installed with or without the VHRC column installed to base.

Item #	Description	Qty
1	VHRC Handle	1
2	1/8" hex wrench	1

Tools Required: Philips screwdriver, 1/8" hex wrench (supplied with handle)

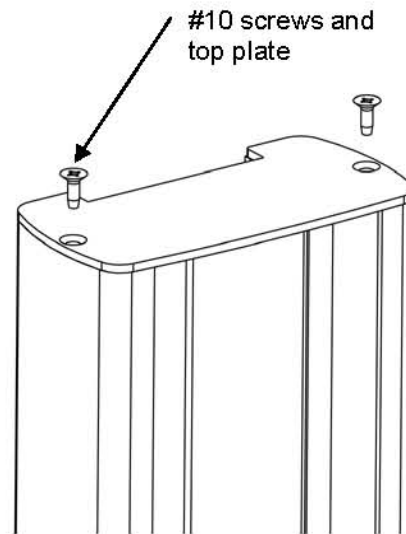
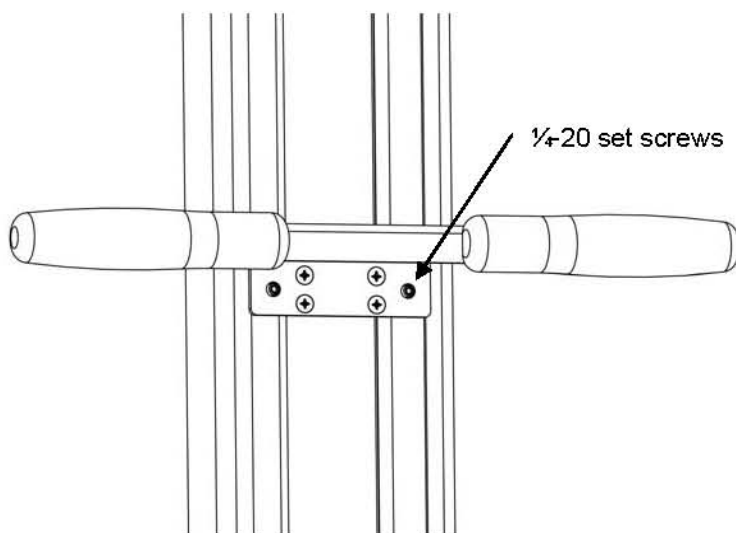
Installing VHRC Handle to column rear track

1. Remove two #10 screws and top plate from VHRC column, retain parts.
2. Align VHRC handle with rear track on VHRC column, slide handle into track as shown.



Positioning and securing VHRC Handle within column

1. Slide VHRC Handle into desired vertical position on rear of column, secure by tightening the 1/4-20 set screws.
2. Replace VHRC column top plate using #10 screws removed earlier.



Installation Guide

VHRC Rear Column Mounting Cleat (For Baskets, CPU Mounts, and Power Strips)

The purpose of this guide is to:

1. Describe installation of the Mounting Cleat to the rear of the VHRC column assembly
2. Describe installation of a GCX basket, CPU mount or Power Strip to the Mounting Cleat.

Parts Reference

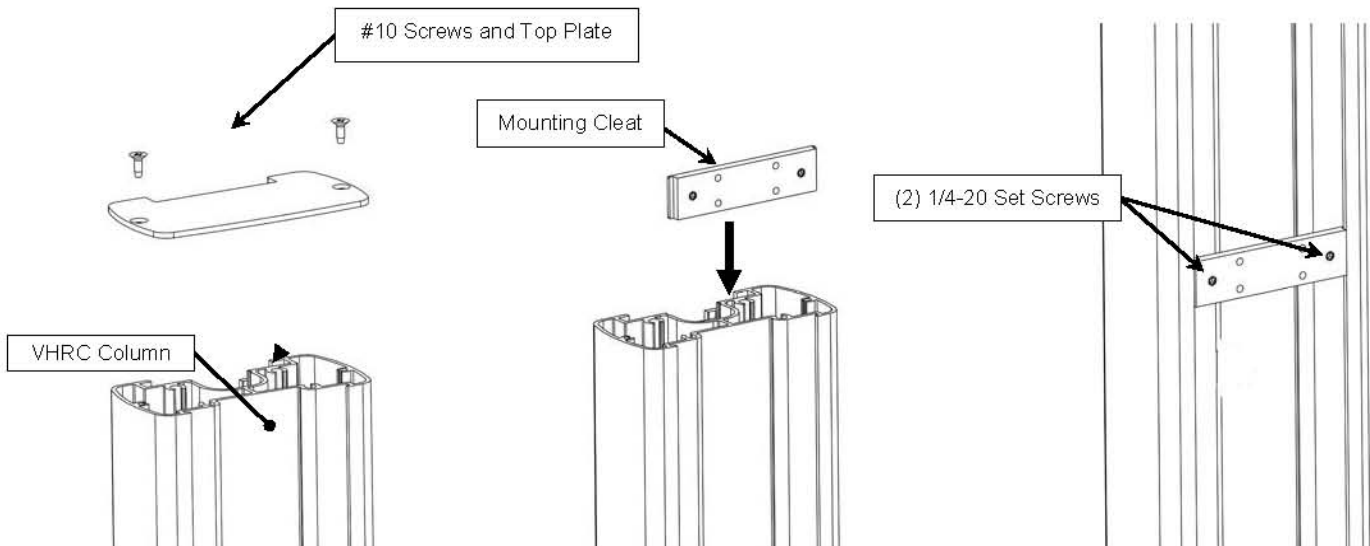
The parts list below includes parts and hardware that will be used in this installation procedure (see images below for parts and hardware). The GCX Basket, CPU Clamp and Power Strip have parts lists/instructions included within their packages.

Item #	Description	Qty
1	VHRC Rear Column Mounting Cleat	1
2	1/8" hex wrench	1
3	10-32 X 1/2" PHMS (for basket installation)	4
4	10-32 x 1/2" FHMS (for CPU clamp installation)	4
5	10-32 x 3/8" FHMS (for Power Strip installation)	2

Tools Required: Phillips screwdriver (not supplied), 1/8" hex wrench (supplied with cleat)

Installing Mounting Cleat to column rear track

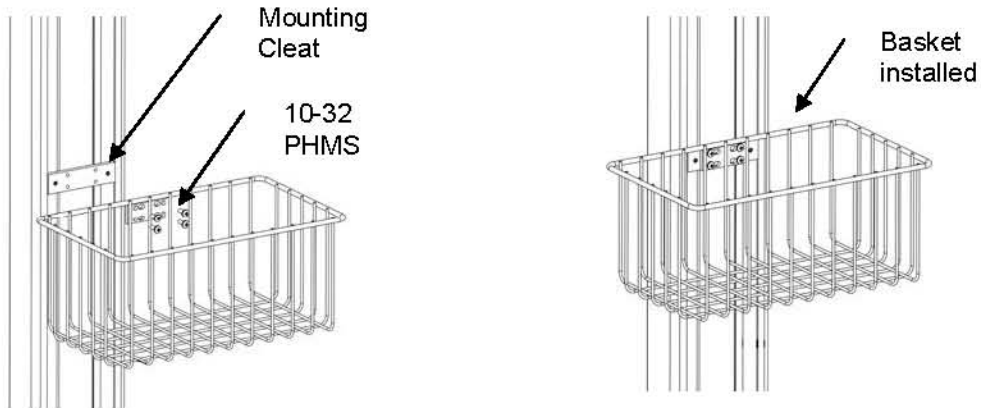
1. Using a Phillips screwdriver, remove two #10 screws and top plate from VHRC column, retain parts.
2. Align Mounting Cleat with rear track on VHRC column and slide into track as shown.
3. Slide Mounting Cleat to desired position and secure by tightening the 1/4-20 set screws with a 1/8" hex wrench.
4. Replace the top plate using the #10 screws from step #1.



Installation of GCX wall mount basket to Rear Column Mounting Cleat

Note: Mounting Cleat will only accommodate GCX wall mount baskets

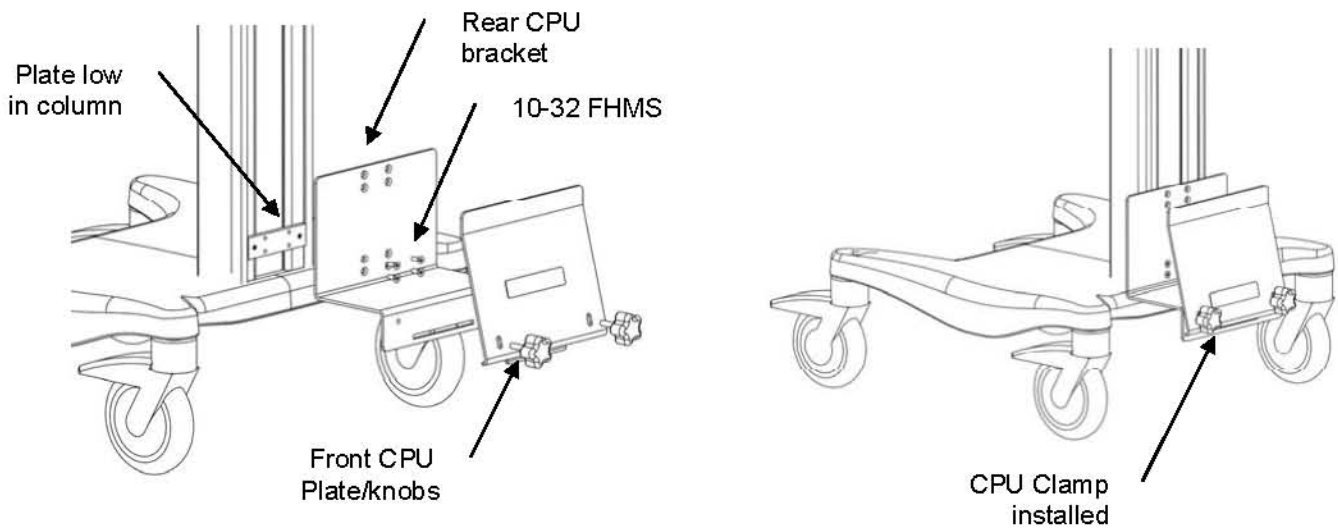
1. Remove GCX plastic slide from basket assembly, discard slide and screws.
2. Using the 10-32 PHMS (supplied with Mounting Cleat) attach the basket to cleat as shown.



Installation of GCX CPU Clamp to Rear Column Mounting Cleat

Note: Mounting Cleat will only accommodate GCX wall mount CPU clamp p/ns WM-0007-40 and WM-0007-41.

1. Remove wall channel slide, discard cap screws and adjustable stop.
2. Position Mounting Cleat low in column near base as shown, weight of CPU will improve the stability of cart.
3. Using the 10-32 FHMS (supplied with Mounting Cleat) attach the rear CPU Clamp bracket to cleat as shown.
4. Install the front CPU Clamp plate with the knobs from step #1, install CPU per CPU Clamp Instructions.



Installation of GCX Power Strip

1. Using a Phillips screwdriver, attach the mounting plate to cleat with (2) 10-32 x 3/8" FHMS.
2. Secure power supply to mounting plate with (2) 10-32 x 3/8" PHMS.

