

## Installation Guide

### Variable Height Rolling Cart (VHRC) cart assembly

*The purpose of this guide is to describe configuration, assembly of the VHRC cart and demonstrate key functions.*

Variable Height Rolling Cart features a counterbalanced height adjustable channel for mounting devices/equipment. The VHRC carts are available in the weight-handling ranges shown below. In configuring a VHRC cart, the total weight of all GCX mounts in addition to the weight of all devices/equipment should be determined and totaled. That total weight should fall within the weight range of the VHRC column to provide proper counterbalancing of the adjustable channel.

VHRC Part Number	Weight Range
RST-0007-01 (tall)	20 – 30lbs (9.1 – 13.6kg)
RST-0007-02 (tall)	30 – 40lbs (13.6 - 18.1kg)
RST-0007-03 (tall)	40 – 50lbs (18.1 – 22.7kg)
RST-0007-04 (tall)	50 – 60lbs (22.7 – 27.2kg)
RST-0007-05 (tall)	60 – 70lbs (27.2 – 31.7kg)
RST-0007-06 (short)	20 – 30lbs (9.1 - 13.6kg)
RST-0007-07 (short)	30 – 40lbs (13.6 – 18.1kg)
RST-0007-08 (short)	40 – 50lbs (18.1 – 22.7kg)
RST-0007-09 (short)	10-20 lbs (4.5-9.1 kg)



### Warnings

VHRC configurations specified by GCX Corp. have been tip tested to verify stability of complete cart. Configurations differing from approved GCX specifications should be tip tested to ensure safe operation and prevent any stability/tip hazards. Contact GCX for further information.

Ensure the total weight(s) of GCX mounts and instruments being mounted in the height adjustable VHRC channel are within the weight range of the VHRC column. See table above for reference and/or contact GCX for further information.

Do not position the VHRC or mounted equipment above a patient. The VHRC has a wide range of motion with both the height adjustable channel feature and overall mobility of the cart design. Please consider carefully the mounted equipment and proximity of cart to other equipment, hospital personnel and the patient.

When moving the height adjustable VHRC channel always hold the mount(s) or handle(s) with both hands, if the column is counterbalanced properly the channel should not move suddenly.

When moving the VHRC cart fold any extended mounts with equipment inward to prevent collisions with other equipment, walls, doorways, hospital personnel and the patient.

Periodically check the VHRC height adjustable channel for proper function and counterbalance by depressing the foot pedal, moving the channel up/down, then release the foot pedal so channel locks in position.

Periodically inspect VHRC components and fasteners for looseness. Tighten as required for optimal operation and safety.

## Parts Reference

The following parts and hardware are included in this cart kit.

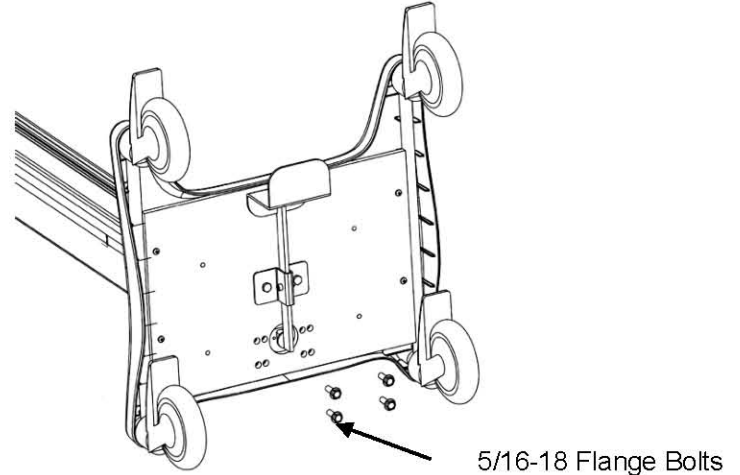
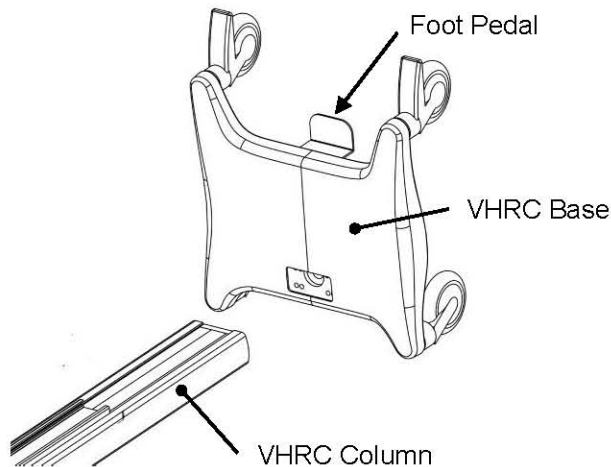
Item #	Description	Qty
1	VHRC Column assembly	1
2	VHRC Base assembly	1
3	5/16-18 Flange Hex Bolts	4
4	1/2"/13mm Socket Wrench	1
5	VHRC Rear Column Covers (height dependent)	2 or 3

## Tools Required

1/2"/13mm Socket Wrench (provided with kit)

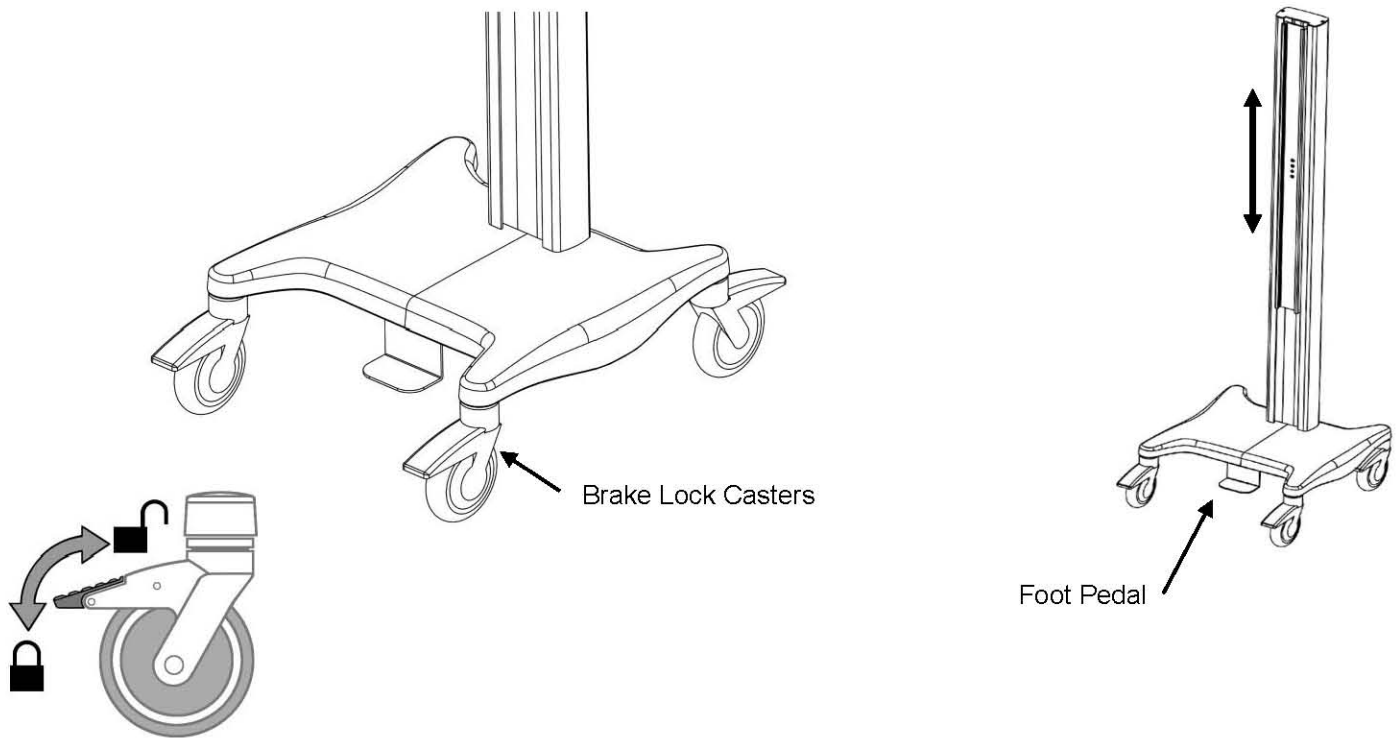
## Installing VHRC Column to Base

1. Align the bottom of the column with the top of Base so opening in plastic cover is visible. Channel on column should be oriented with foot pedal (on base) as shown.
2. Insert bottom of column into top of base, align the holes in base, then fasten the column using the 5/16-18 flange bolts supplied with kit.
3. Place VHRC back on it's casters, depress foot pedal and check that channel moves up and down with some resistance. Release foot pedal, channel should not move.



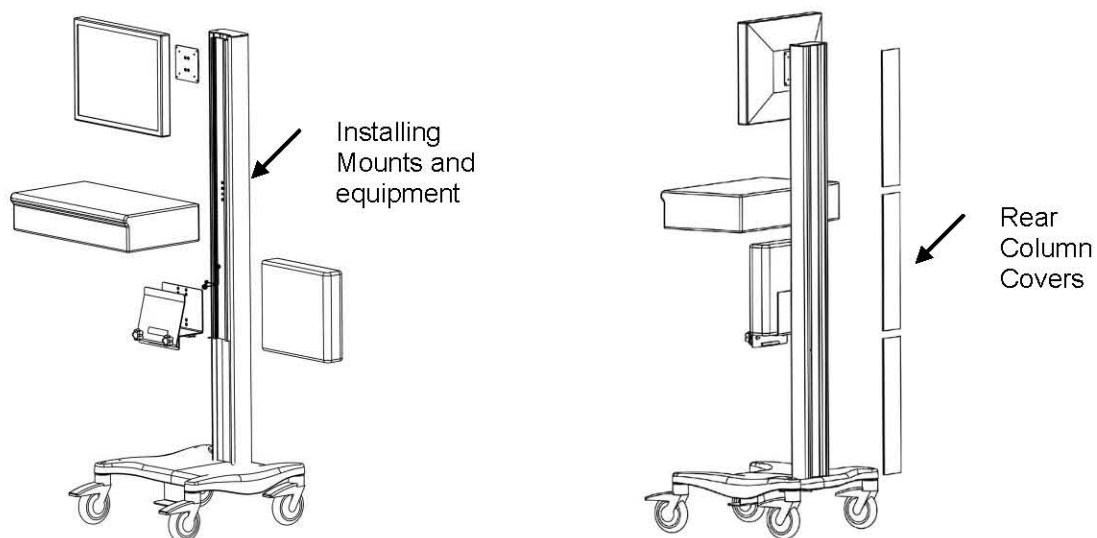
## Caster locks and Channel height adjustment

1. The base provides four locking casters (wheels) that can be locked to prevent cart movement. Each locking caster has a lock lever which is depressed to activate the brake. The brake can be deactivated by lifting the lock lever.
2. The VHRC channel features counterbalanced height adjustment. To move the channel up/down depress foot pedal and hold down, move channel to desired position, release foot pedal to lock channel in place.



## Installing Mounts to Channel, Rear Column Covers

1. Install GCX Mounts and equipment to VHRC Channel per the instructions supplied with each mount.
2. Install the Rear Column covers as shown, note that cables/cords can be routed under the covers.

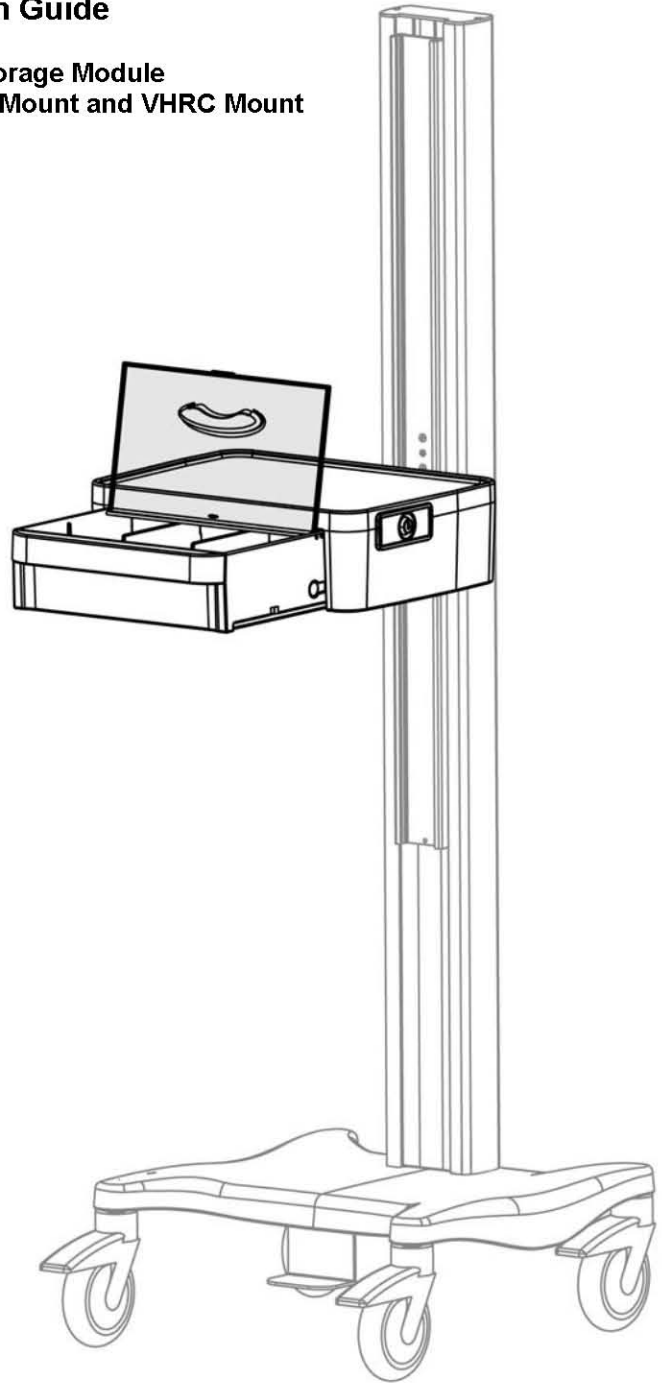


## Installation Guide

### Stor-Locx™ Storage Module Key Lock Version Channel Mount and VHRC Mount

#### Weight Capacity:

Overall: 20 lbs/9.1 kg total including cassette contents  
Cassette contents: 7.5 lbs/3.4 kg maximum



RST-0007-86



Prod. Weight

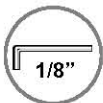


RST-0007-87



Prod. Weight

GCX part number RST-0007-86 can be installed on any GCX channel. RST-0007-87 is limited to GCX mobile applications which provide clearance for the accessory bins.

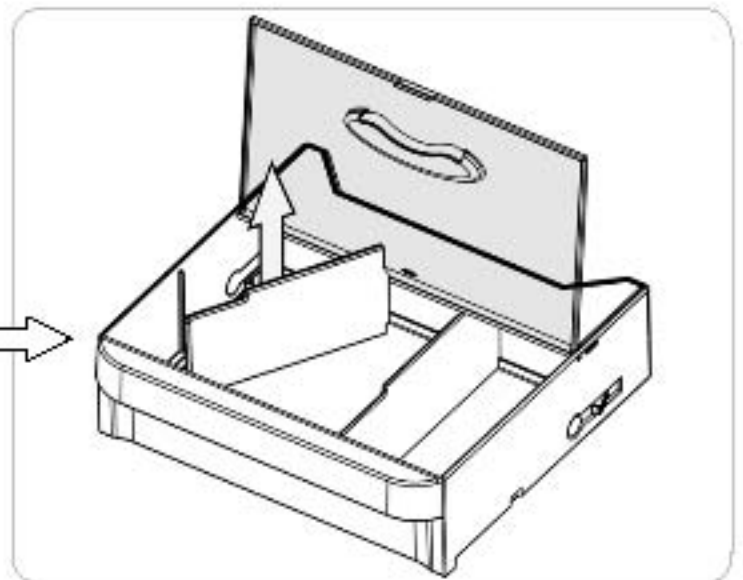
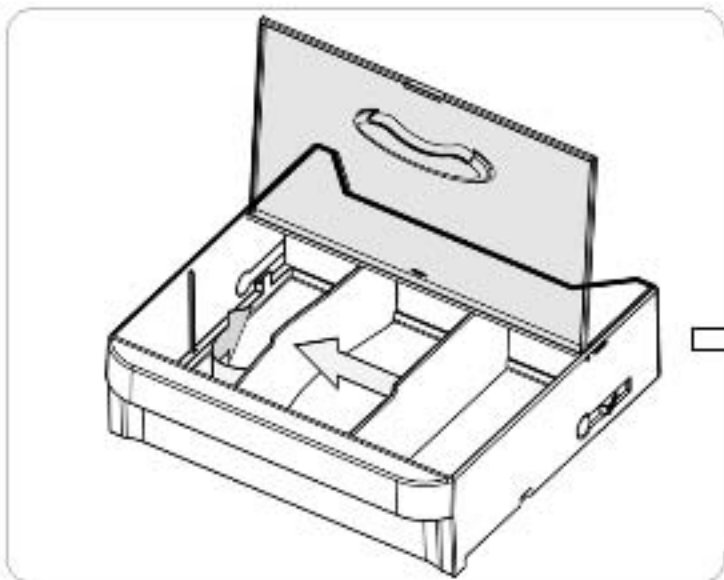
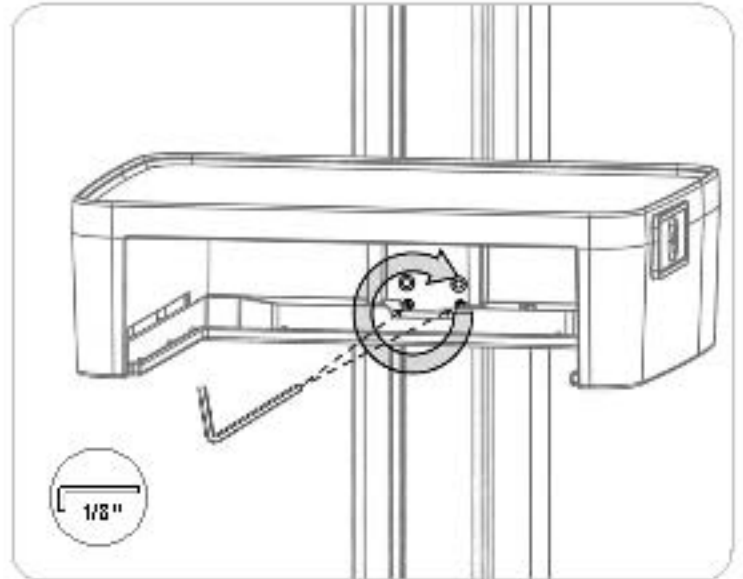
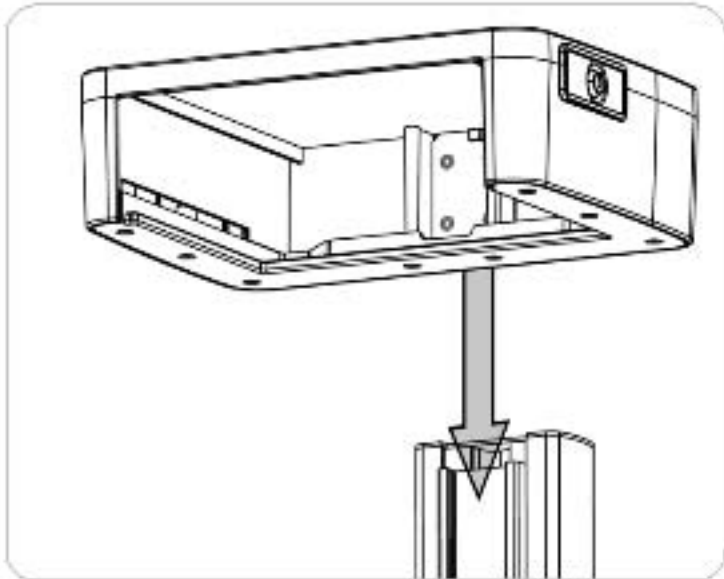
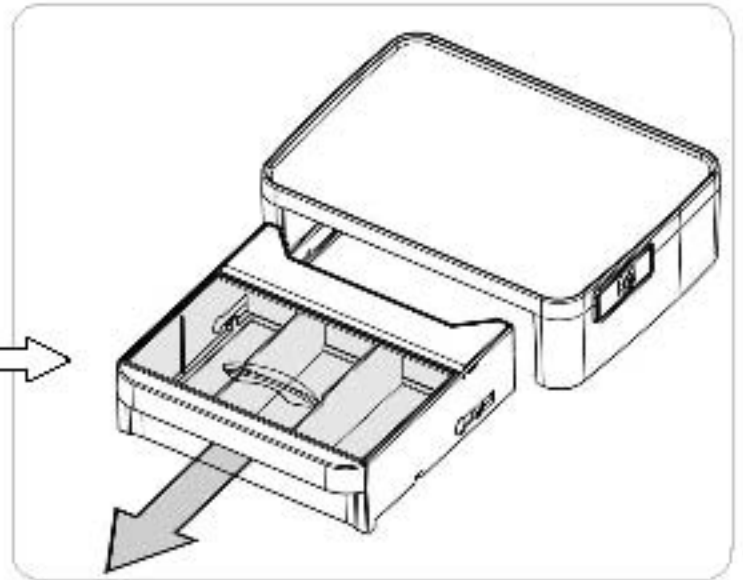
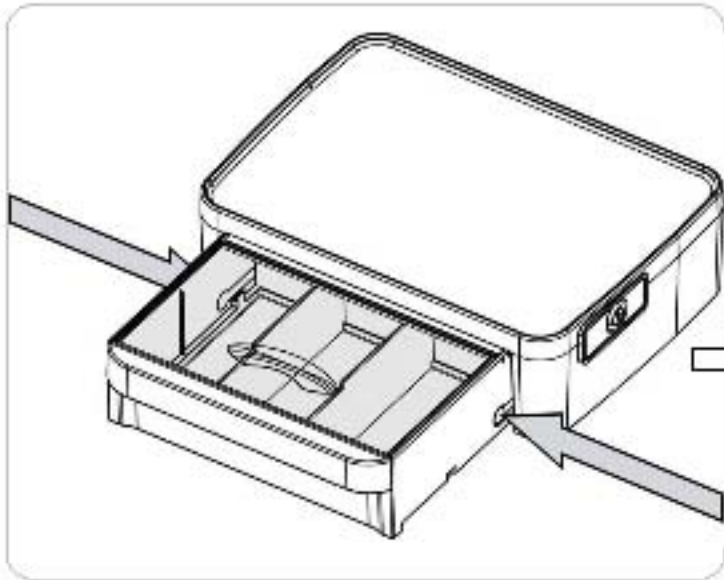


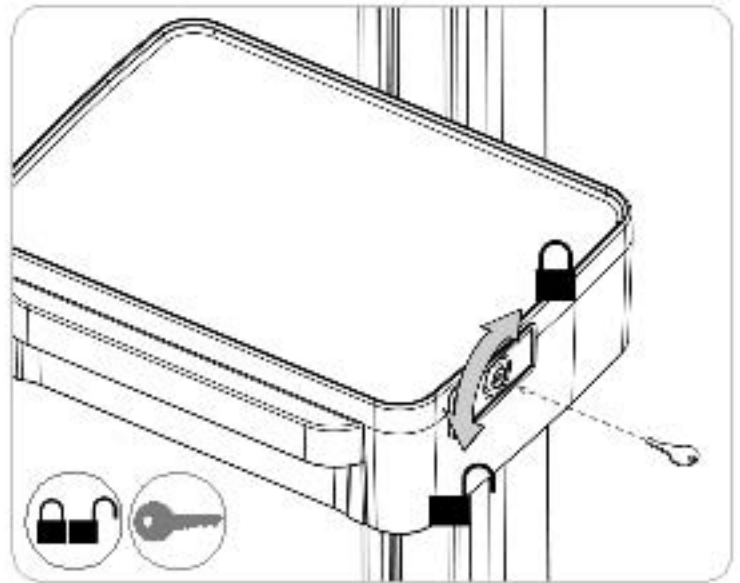
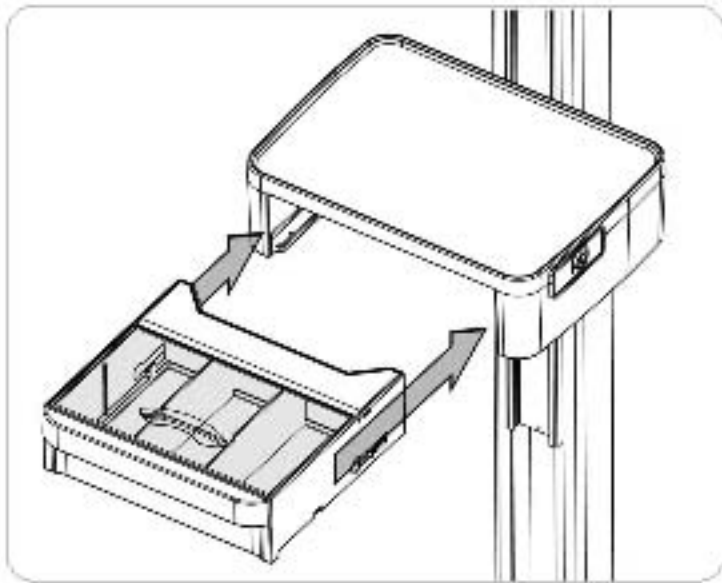
1/8"



X2

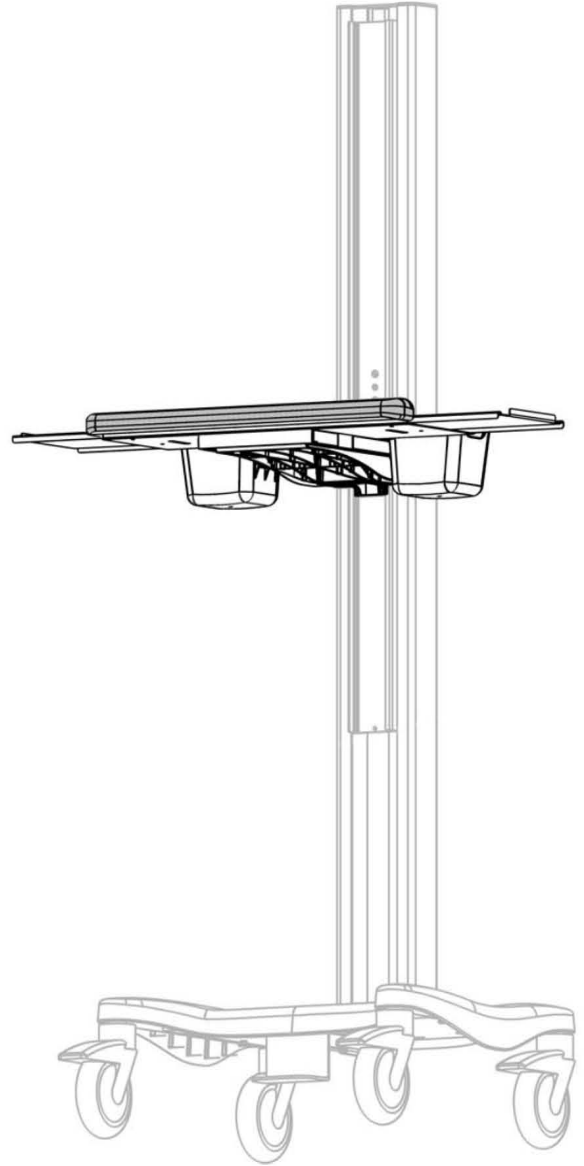






## Installation Guide

### Flush VHRC Keyboard Mount



  
13 lbs  
5.9 kg  
Prod. Weight

