

Installation Guide

VHRC Column Handle

The purpose of this guide is to:

1. Describe installation of the handle to the rear of the VHRC column assembly

Parts Reference

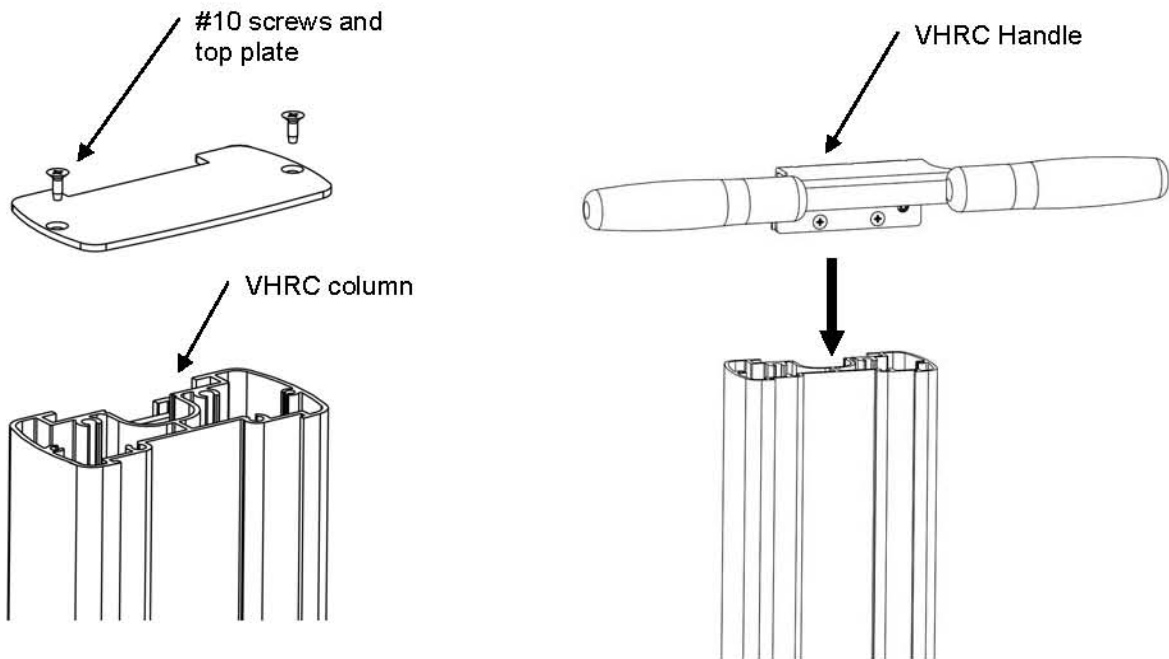
The parts list below includes parts and hardware that will be used in this installation procedure (see images below for parts and hardware). Note that the handle can be installed with or without the VHRC column installed to base.

Item #	Description	Qty
1	VHRC Handle	1
2	1/8" hex wrench	1

Tools Required: Philips screwdriver, 1/8" hex wrench (supplied with handle)

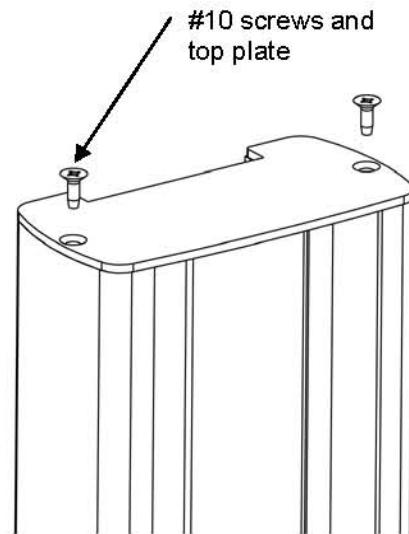
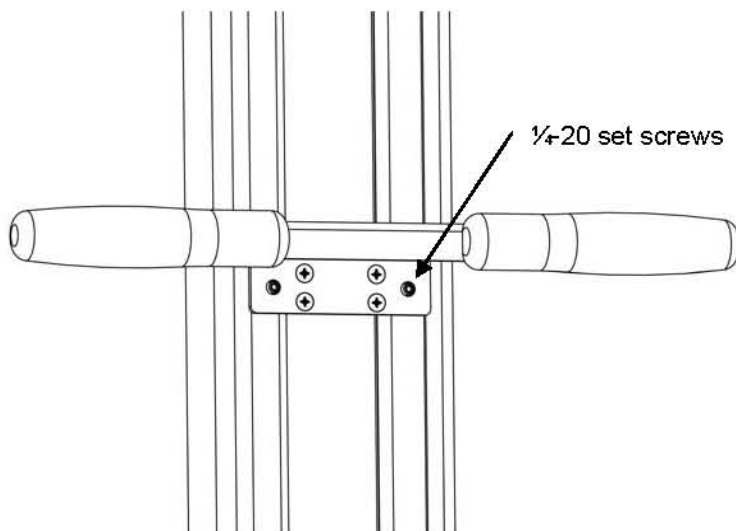
Installing VHRC Handle to column rear track

1. Remove two #10 screws and top plate from VHRC column, retain parts.
2. Align VHRC handle with rear track on VHRC column, slide handle into track as shown.



Positioning and securing VHRC Handle within column

1. Slide VHRC Handle into desired vertical position on rear of column, secure by tightening the 1/4-20 set screws.
2. Replace VHRC column top plate using #10 screws removed earlier.



Installation Guide

VHRC Rear Column Mounting Cleat (For Baskets, CPU Mounts, and Power Strips)

The purpose of this guide is to:

1. Describe installation of the Mounting Cleat to the rear of the VHRC column assembly
2. Describe installation of a GCX basket, CPU mount or Power Strip to the Mounting Cleat.

Parts Reference

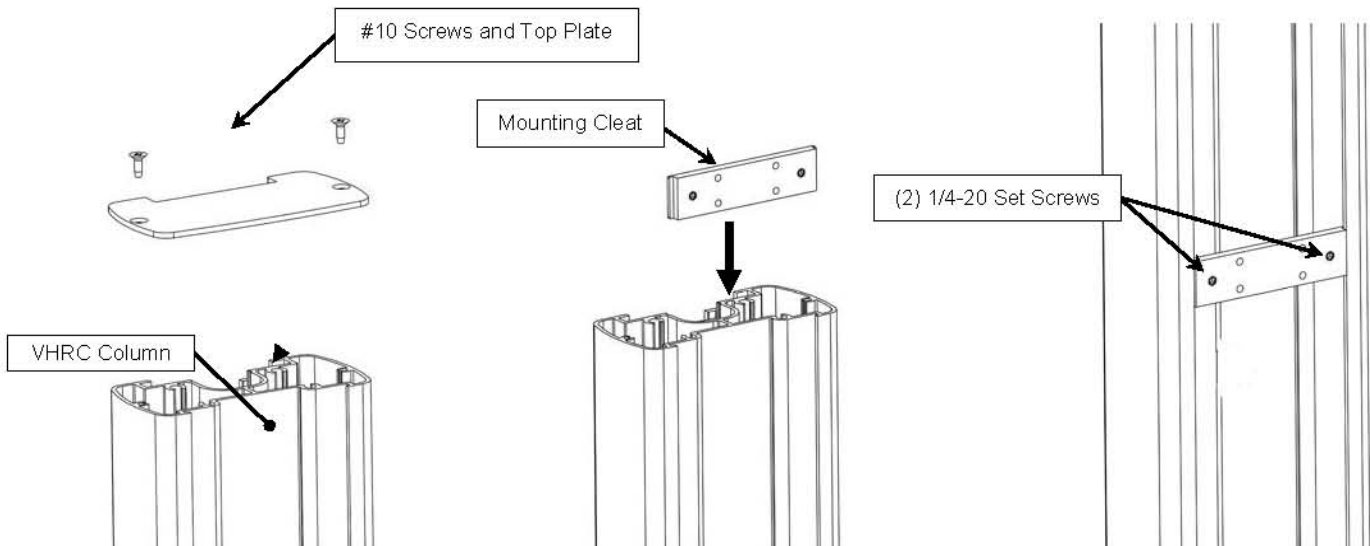
The parts list below includes parts and hardware that will be used in this installation procedure (see images below for parts and hardware). The GCX Basket, CPU Clamp and Power Strip have parts lists/instructions included within their packages.

Item #	Description	Qty
1	VHRC Rear Column Mounting Cleat	1
2	1/8" hex wrench	1
3	10-32 X 1/2" PHMS (for basket installation)	4
4	10-32 x 1/2" FHMS (for CPU clamp installation)	4
5	10-32 x 3/8" FHMS (for Power Strip installation)	2

Tools Required: Phillips screwdriver (not supplied), 1/8" hex wrench (supplied with cleat)

Installing Mounting Cleat to column rear track

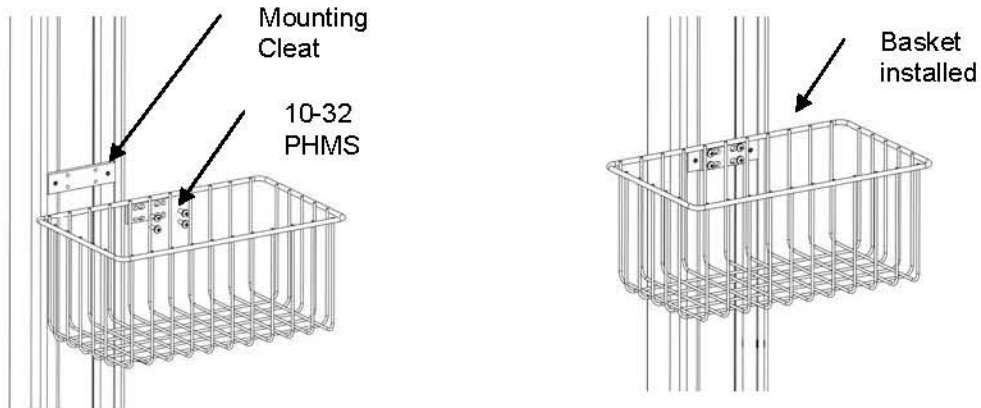
1. Using a Phillips screwdriver, remove two #10 screws and top plate from VHRC column, retain parts.
2. Align Mounting Cleat with rear track on VHRC column and slide into track as shown.
3. Slide Mounting Cleat to desired position and secure by tightening the 1/4-20 set screws with a 1/8" hex wrench.
4. Replace the top plate using the #10 screws from step #1.



Installation of GCX wall mount basket to Rear Column Mounting Cleat

Note: Mounting Cleat will only accommodate GCX wall mount baskets

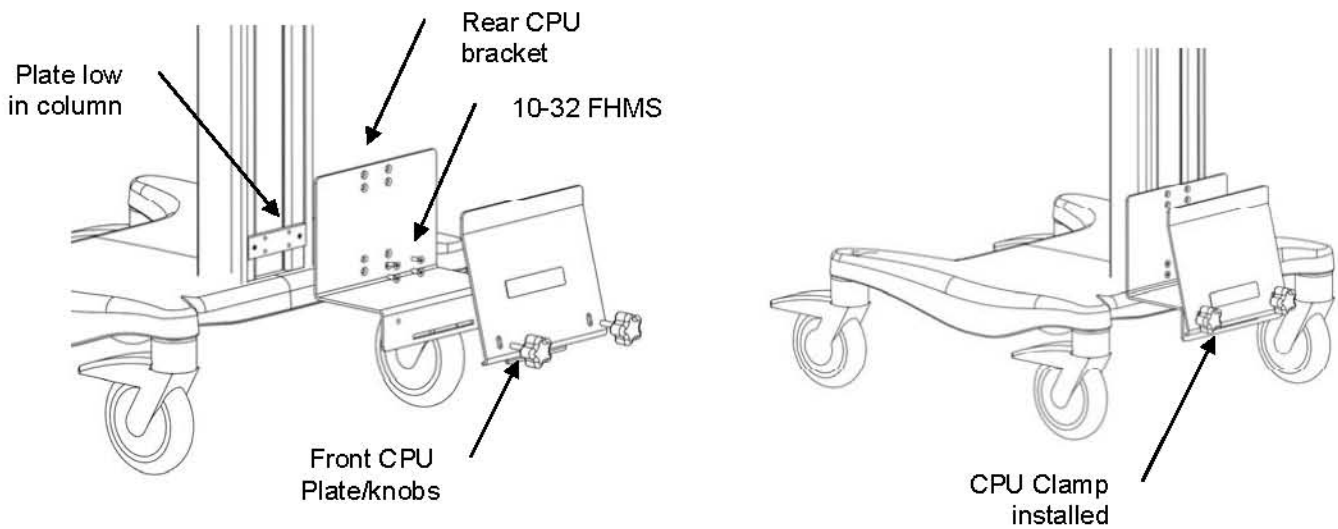
1. Remove GCX plastic slide from basket assembly, discard slide and screws.
2. Using the 10-32 PHMS (supplied with Mounting Cleat) attach the basket to cleat as shown.



Installation of GCX CPU Clamp to Rear Column Mounting Cleat

Note: Mounting Cleat will only accommodate GCX wall mount CPU clamp p/ns WM-0007-40 and WM-0007-41.

1. Remove wall channel slide, discard cap screws and adjustable stop.
2. Position Mounting Cleat low in column near base as shown, weight of CPU will improve the stability of cart.
3. Using the 10-32 FHMS (supplied with Mounting Cleat) attach the rear CPU Clamp bracket to cleat as shown.
4. Install the front CPU Clamp plate with the knobs from step #1, install CPU per CPU Clamp Instructions.



Installation of GCX Power Strip

1. Using a Phillips screwdriver, attach the mounting plate to cleat with (2) 10-32 x 3/8" FHMS.
2. Secure power supply to mounting plate with (2) 10-32 x 3/8" PHMS.

